

Parts and Services, LLC

P.O. Box 696 • Woodbury, CT 06798

Tel: (203) 263-5619 • FAX: (203) 263-0601

www.partsandservicesllc.com

PARTS & PRICE LIST

FOR

ARM TYPE AND OVERHEAD TYPE PULLOUT HOLDOUT DEVICES
MODEL R RIVETER DEVICE

EFFECTIVE FEBRUARY 1, 2016

FOR THE SAKE OF YOUR EMPLOYEES...

Make periodic and detailed inspections of presses and devices to ensure that they are in safe operating condition.

Perform and complete necessary maintenance and repairs before operating the presses.

Keep records of inspections, maintenance, repairs and adjustments as required by OSHA regulations.

Be sure inspections, maintenance and repairs are done by competent people.

Maintain an adequate stock of parts. Do not substitute homemade parts or effect "repairs" by welding, straightening or otherwise tinkering with damaged parts.

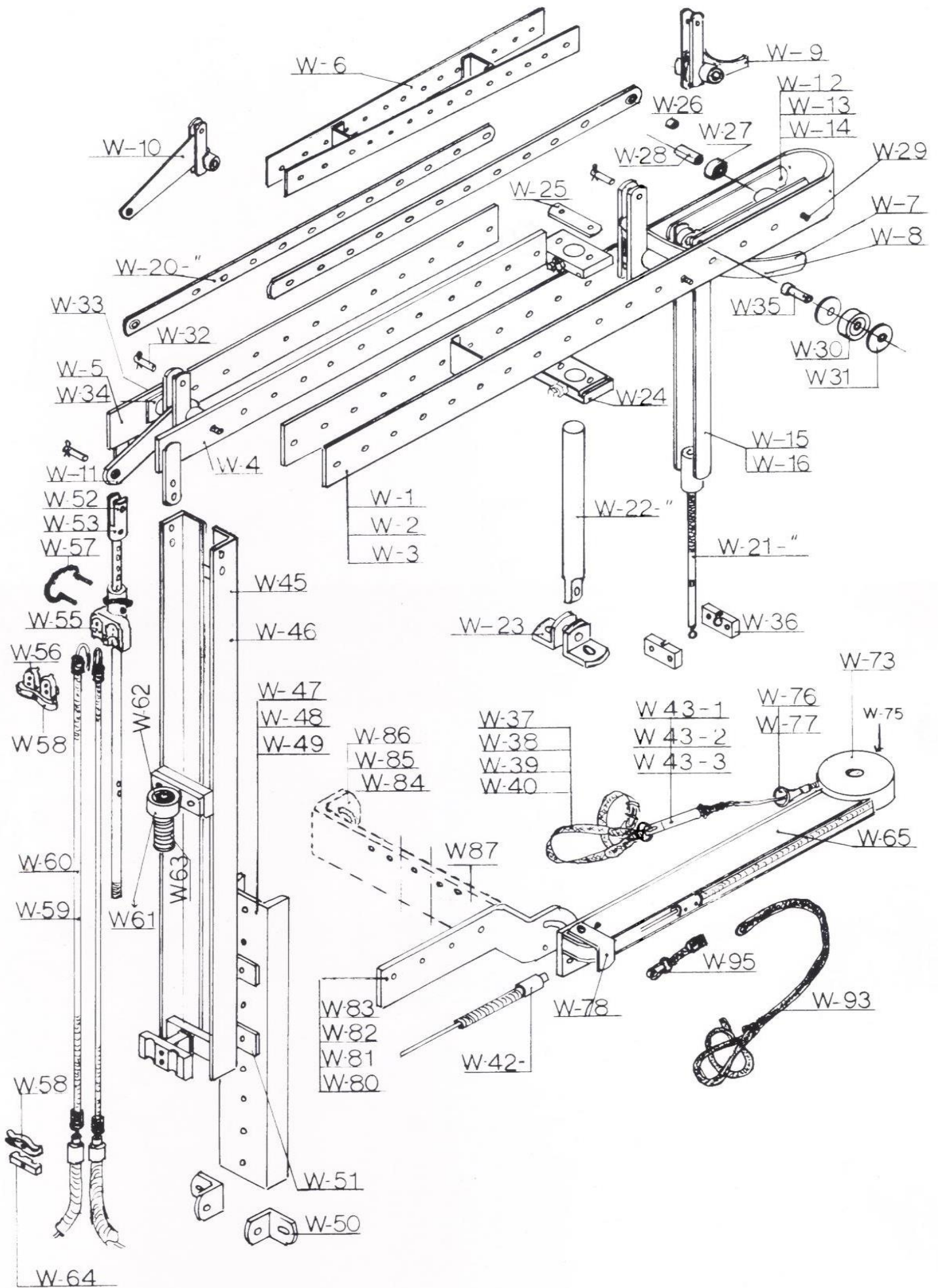
The Customer is solely responsible to determine the suitability of our products for their application.

NOT RESPONSIBLE FOR TYPOGRAPHICAL ERRORS
PRICES SUBJECT TO CHANGE

ARM TYPE PARTS & PRICE LIST

| Part No. | Part Name | Price |
|----------|---|--------|
| W1 | Front Frame Long 40" | 128.75 |
| W2 | Front Frame Standard 34" | 114.50 |
| W3 | Front Frame Short 28" | 100.00 |
| W4 | Rear Frame L.H. | 49.50 |
| W5 | Rear Frame R.H. | 49.50 |
| W6 | Frame Extension | 100.00 |
| W7 | Cam Lever Long | 324.25 |
| W8 | Cam Lever Standard | 280.25 |
| W9 | Cam Lever Junior | 384.50 |
| W10 | Bellcrank Long Pull | 302.00 |
| W11 | Bellcrank Standard Pull | 218.75 |
| W12 | Yoke Long | 280.25 |
| W13 | Yoke Standard | 184.00 |
| W14 | Yoke Junior | 127.50 |
| W15 | Fork Standard | 184.00 |
| W16 | Fork Junior | 127.50 |
| W17 | Long Yoke & Std. Fork Assy. | 555.25 |
| W18 | Std. Yoke & Std. Fork Assy. | 458.50 |
| W19 | Junior Yoke & Junior Fork Assy. | 356.75 |
| W20- | Link (Specify 12", 14", 18", 22", 26", 30") | 70.50 |
| W21- | Stroke Rod 12" to 60" (Specify length) | 132.50 |
| W22- | Support Rod 6" to 24" (Specify length) | 69.00 |
| W23 | Support Rod Angle Ear | 29.50 |
| W24 | Support Rod Clamp | 65.25 |
| W25 | Support Rod Stop | 16.25 |
| W26 | 3/8 I.D. Bronze Bushing | 9.50 |
| W27 | 5/8 I.D. Bronze Bushing | 12.25 |
| W28 | Lever Shaft | 25.25 |
| W29 | 4" Lg. Frame Stud | 15.25 |
| W30 | Cam Roller | 99.50 |
| W31 | Stroke Fork Spacer | 3.75 |
| W32 | Pivot Pin | 36.75 |
| W33 | 4 1/2" Ig. Rear Frame Stud | 15.25 |
| W34 | Rear Frame Spacer | 10.00 |
| W35 | Cam Roller Pin | 33.75 |
| W36 | Ram Blocks-Pair | 146.00 |
| W37 | Nylon Wristlet - Mini - Pair | 87.00 |
| W38 | Nylon Wristlet - Small - Pair | |
| W39 | Nylon Wristlet - Std. - Pair | |
| W40 | Nylon Wristlet - Large - Pair | |
| W40XL | Nylon Wristlet - Extra Large - Pair | 67.50 |
| W41-1 | Tube Extension 6 or 12" (Specify) | |
| W41-2 | Tube Extension 18 or 24" (Specify) | 188.00 |
| W42- | Tube 3 1/2' to 10 Max' (Specify length) | |
| W43 | Cable & Snap Assembly 18' | 175.50 |
| W44- | Column Cover (Std. 36" or Long 42") | 94.50 |
| W45 | Column Long Pull 38" | 278.00 |
| W46 | Column Standard Pull 33" | |

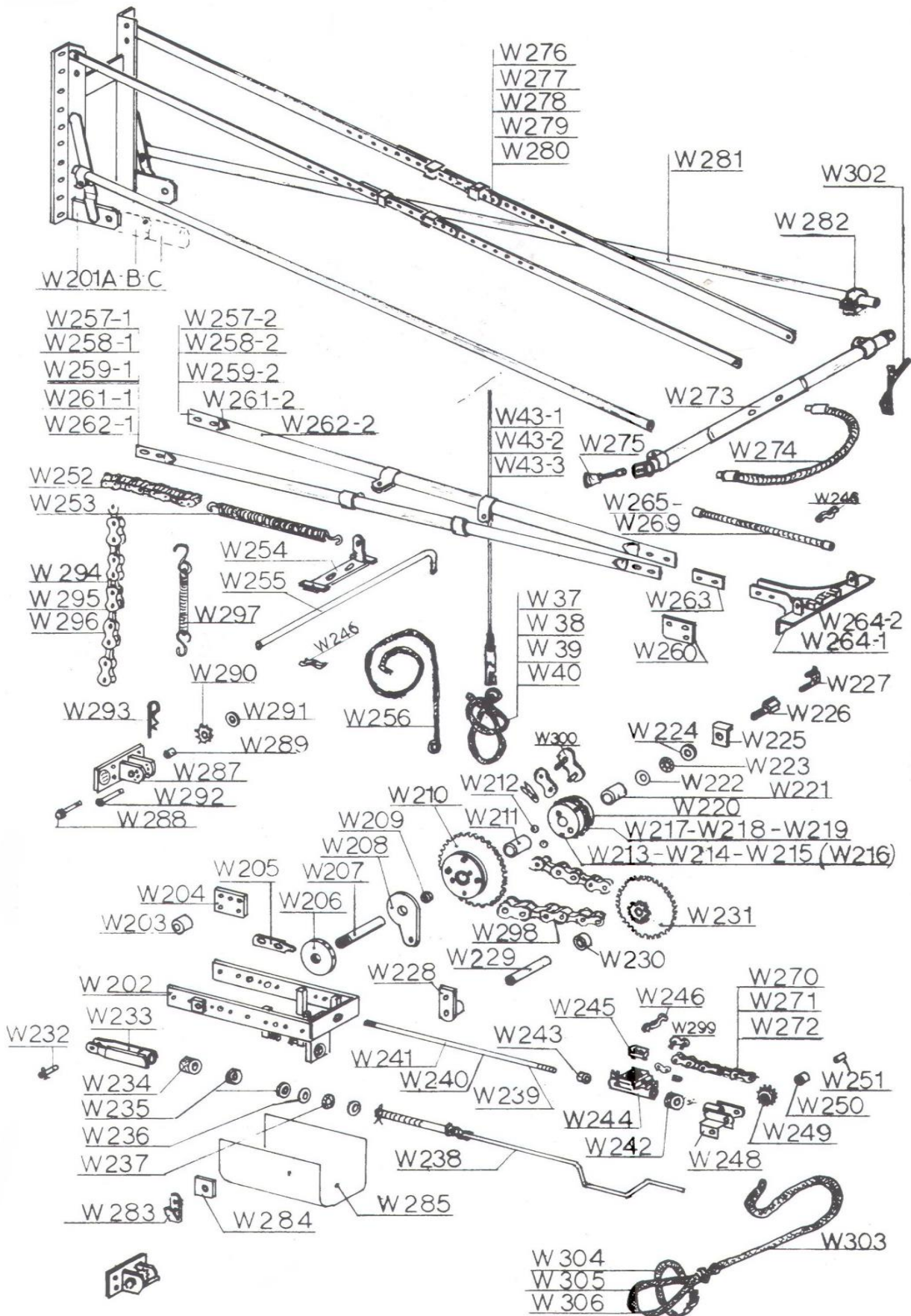
| Part No. | Part Name | Price |
|----------|------------------------------------|--------|
| W47 | Long Column Extension 30" | 54.50 |
| W48 | Standard Column Extension 18" | |
| W49 | Short Column Extension 4" | |
| W50 | Column Ear | 25.25 |
| W51 | Column Nut | 24.00 |
| W52 | Adjusting Rod Long Pull 29" | 167.00 |
| W53 | Adjusting Rod Std. Pull 25" | |
| W54 | Cable Block Assembly | 271.00 |
| W55 | Cable Block | 146.00 |
| W56 | Cable Clamp | 23.75 |
| W57 | Cable Block Spring Pins | 42.00 |
| W58 | Cable Return Spring Clamp | 36.75 |
| W59 | Cable Return Spring Long Pull 19½" | 55.75 |
| W60 | Cable Return Spring Std. Pull 16½" | |
| W61 | Buffer Assembly | 140.50 |
| W62 | Buffer Bronze Bushing | 12.25 |
| W63 | Buffer Spring | 20.50 |
| W64 | Tube Clamp | 26.00 |
| W65 | Arm Assembly Long L.H. | 481.00 |
| W66 | Arm Assembly Long R.H. | |
| W67 | Arm Weldment Long L.H. | 323.50 |
| W68 | Arm Weldment Long R.H. | |
| W69 | Arm Assembly Std. L.H. | 481.00 |
| W70 | Arm Assembly Std. R.H. | |
| W71 | Arm Weldment Std. L.H. | 323.50 |
| W72 | Arm Weldment Std. R.H. | |
| W73 | Arm Cover L.H. | 36.00 |
| W74 | Arm Cover R.H. | |
| W75 | Guide Spring Clamp | 19.25 |
| W76 | Cable Guide Spring Long 24" | 67.50 |
| W77 | Cable Guide Spring Std. 17" | |
| W78 | Arm Clip | 10.00 |
| W79 | Wristlet Hanger | 11.00 |
| W80 | S.M. Arm Bracket 0 RH or LH" | 109.00 |
| W81 | S.M. Arm Bracket 2 RH or LH" | |
| W82 | S.M. Arm Bracket 4 RH or LH" | |
| W83 | S.M. Arm Bracket 6 RH or LH" | 154.50 |
| W84 | Front Mount Arm Bracket 25" | |
| W85 | Front Mount Arm Bracket 28" | |
| W86 | Front Mount Arm Bracket 32" | |
| W87 | Front Mount Arm Bracket Split | 74.00 |
| W88 | Swing Out Arm Bracket L.H. | 194.50 |
| W89 | Swing Out Arm Bracket R.H. | |
| W90 | Offset Column Ext. 4" x 6" | 120.00 |
| W91 | Offset Column Ext. 4 x 18" | |
| W92 | Offset Column Ext. 4 x 30" | |
| W93 | Restraint Attachment L.H. | 172.00 |
| W94 | Restraint Attachment R.H. | |
| W95 | Restraint Connector | 75.00 |



OVERHEAD TYPE PARTS & PRICE LIST

| Part No. | Part Name | Price |
|-----------------|-------------------------------|--------------|
| W201- | Mounting Frame (Std., 4", 8") | 289.00 |
| W202 | Mechanism Frame | 405.00 |
| W203 | Chain Retainer | 34.25 |
| W204 | Chain Retainer Plate | 20.50 |
| W205 | Adjusting Nut Lock | 9.50 |
| W206 | Adjusting Nut | 77.00 |
| W207 | Main Shaft | 81.50 |
| W208 | Control Plate | 118.00 |
| W209 | Control Plate Bushing | 11.00 |
| W210 | Ball Sprocket Assembly | 824.00 |
| W211 | Ball Sprocket Bushing | 36.75 |
| W212 | 5/8 Dia. Ball | 8.50 |
| W213 | Drive Sprocket Assy. 54T | 489.50 |
| W214 | Drive Sprocket Assy. 40T | |
| W215 | Drive Sprocket Assy. 26T | |
| W216 | Drive Hub | 239.00 |
| W217 | Drive Sprocket 54T | 160.50 |
| W218 | Drive Sprocket 40T | |
| W219 | Drive Sprocket 26T | |
| W220 | Drive Cap | 208.00 |
| W221 | Drive Sprocket Bushing | 18.00 |
| W222 | Thrust Bearing Washer | 18.75 |
| W223 | Thrust Bearing | 29.50 |
| W224 | Thrust Bearing Ring | 18.75 |
| W225 | Main Shaft Lock | 9.50 |
| W226 | Oiler Bolt | 28.50 |
| W227 | Oiler Cup | 31.50 |
| W228 | Sprocket Hanger | 89.50 |
| W229 | Multiplying Sprocket Shaft | 40.00 |
| W230 | Multiplying Sprocket Bushing | 14.00 |
| W231 | Multiplying Sprocket | 240.50 |
| W232 | Pivot Pin | 36.75 |
| W233 | Control Fork | 145.00 |
| W234 | U Bumper | 26.75 |
| W235 | Spherical Washer | 23.25 |
| W236 | 5/8 ID Hardened Washer | 15.50 |
| W237 | 5/8 ID Thrust Bearing | 18.75 |
| W238 | Control Screw Weldment | 111.50 |
| W239 | Guide Rod Long 33" | 95.00 |
| W240 | Guide Rod Std. 29" | |
| W241 | Guide Rod Short 25" | |
| W242 | Guide Rod Bumper | 15.50 |
| W243 | Cable Block Bushing | 16.75 |
| W244 | Cable Block Carrier Assy. | 329.00 |
| W245 | Cable Clamp | 23.75 |
| W246 | Spring Clamp | 36.75 |
| W247 | Idler Sprocket Assembly | 157.50 |
| W248 | Idler Sprocket Weldment | 99.75 |
| W249 | Idler Sprocket | 57.75 |
| W250 | Idler Sprocket Bushing | 12.75 |
| W251 | Idler Sprocket Shaft | 9.50 |
| W252 | Return Chain 14" | 23.00 |
| W253 | Chain Return Spring | 53.50 |
| W254 | Trombone Tube Plate | 73.50 |

| Part No. | Part Name | Price |
|-----------------|-------------------------------------|--------------|
| W255 | Trombone Tube | 78.00 |
| W256 | Trombone Spring Assembly | 42.00 |
| W257- | Boom Rail 12 Pull L.H. or R.H. | 126.00 |
| W258- | Boom Rail 14 Pull L.H. or R.H. | |
| W259- | Boom Rail 16 Pull L.H. or R.H. | |
| W260 | Idler Sprocket Plate | 21.00 |
| W261- | Boom Rail 20 Pull L.H. or R.H. | 126.00 |
| W262- | Boom Rail 24 Pull L.H. or R.H. | |
| W263 | Boom Spacer Plate | 14.75 |
| W264- | Boom End (12, 14, 16, 20 & 24 Pull) | 220.50 |
| W265 | Cable Return Spring 12" | 75.00 |
| W266 | Cable Return Spring 14" | |
| W267 | Cable Return Spring 16" | |
| W268 | Cable Return Spring 24" | |
| W269 | Cable Return Spring 30" | |
| W270 | Cable Block Chain 12 Pull | 105.00 |
| W271 | Cable Block Chain 14 & 20 Pull | |
| W272 | Cable Block Chain 16 & 24 Pull | |
| W273 | Tube Support Bar 30" | 165.00 |
| W274 | Cable Guide Tube 24" | 135.00 |
| W275 | Bellmouth Assembly | 53.50 |
| W276 | Boom Brace Assy. 12 Pull | 147.00 |
| W277 | Boom Brace Assy. 14 Pull | |
| W278 | Boom Brace Assy. 16 Pull | |
| W279 | Boom Brace Assy. 20 Pull | |
| W280 | Boom Brace Assy. 24 Pull | |
| W281 | Tube Brace 12 to 24 Pull | 47.25 |
| W282 | Tube Brace Clamp | 21.00 |
| W283 | Wristlet Hanger | 11.00 |
| W284 | Cover Clamp | 12.75 |
| W285 | Cover | 67.50 |
| W286 | Ram Attachment Assembly | 223.00 |
| W287 | Ram Attachment Weldment | 87.50 |
| W288 | Ram Attachment Shaft | 11.00 |
| W289 | Ram Attachment Bushing | 9.50 |
| W290 | Ram Attachment Sprocket (2 pcs) | 54.75 |
| W291 | Ram Attachment Washer | 4.00 |
| W292 | Ram Attachment Pin | 33.75 |
| W293 | Hairpin Cotter | 2.50 |
| W294 | Drive Chain 26T | 135.00 |
| W295 | Drive Chain 40T | |
| W296 | Drive Chain 54T | |
| W297 | Chain Keeper Assy. | 24.00 |
| W298 | Ball Sprocket Chain 31 | 76.50 |
| W299 | Chain Link Conn. 35 | 8.50 |
| W300 | Chain Link Conn. 40 | 8.50 |
| W301 | Drive Chain Idler Assy. | 206.00 |
| W302 | Restraint Conn. | 75.00 |
| W37 | Nylon Wristlet - Mini - Pair | 87.00 |
| W38 | Nylon Wristlet - Small - Pair | |
| W39 | Nylon Wristlet - Std. - Pair | |
| W40 | Nylon Wristlet - Large - Pair | |
| W40XL | Nylon Wristlet - Extra Large - Pair | |
| W43-3 | Cable & Snap Assembly 18' | 175.50 |



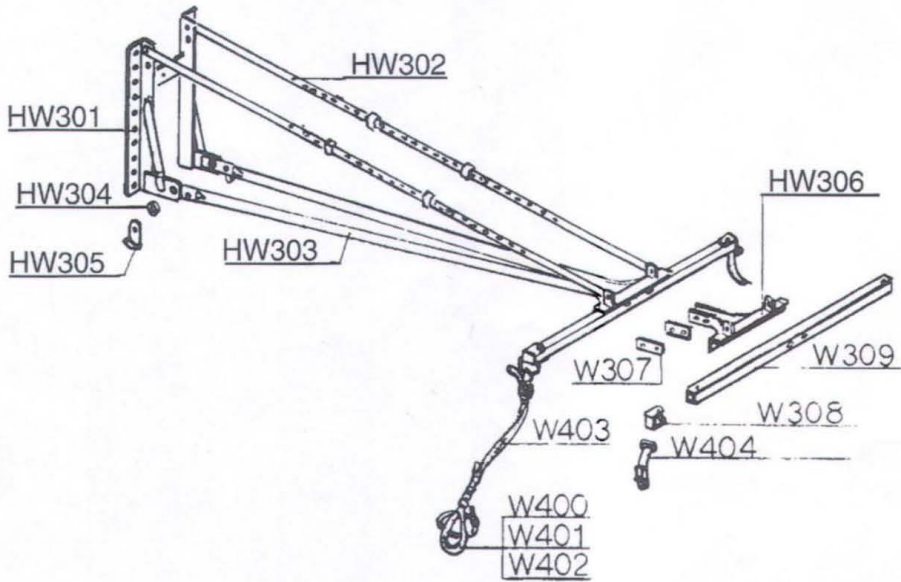
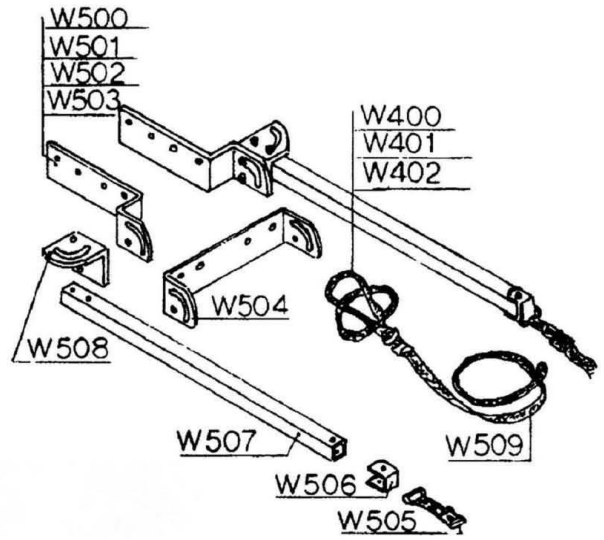
ARM TYPE HOLDOUT PARTS & PRICE LIST

| Part No. | Part Name | Price |
|----------|-------------------------------|------------|
| W400 | Wristlet - Red Nylon - Small | 87.00/pair |
| W401 | Wristlet - Red Nylon-Standard | |
| W402 | Wristlet - Red Nylon - Large | |
| W500 | 6" Arm Bracket - R.H. or L.H. | 109.00 |
| W501 | 4" Arm Bracket - R.H. or L.H. | |
| W502 | 2" Arm Bracket - R.H. or L.H. | |
| W503 | 0" Arm Bracket - R.H. or L.H. | |
| W504 | Front Mount Arm Bracket | 154.00 |
| W505 | D Ring Connector | 75.00 |
| W506 | Holdout Clip | 13.00 |
| W507 | Holdout Arm | 52.50 |
| W508 | Arm Attachment | 89.50 |
| W509 | Holdout Strap 42 long" | 39.00 |

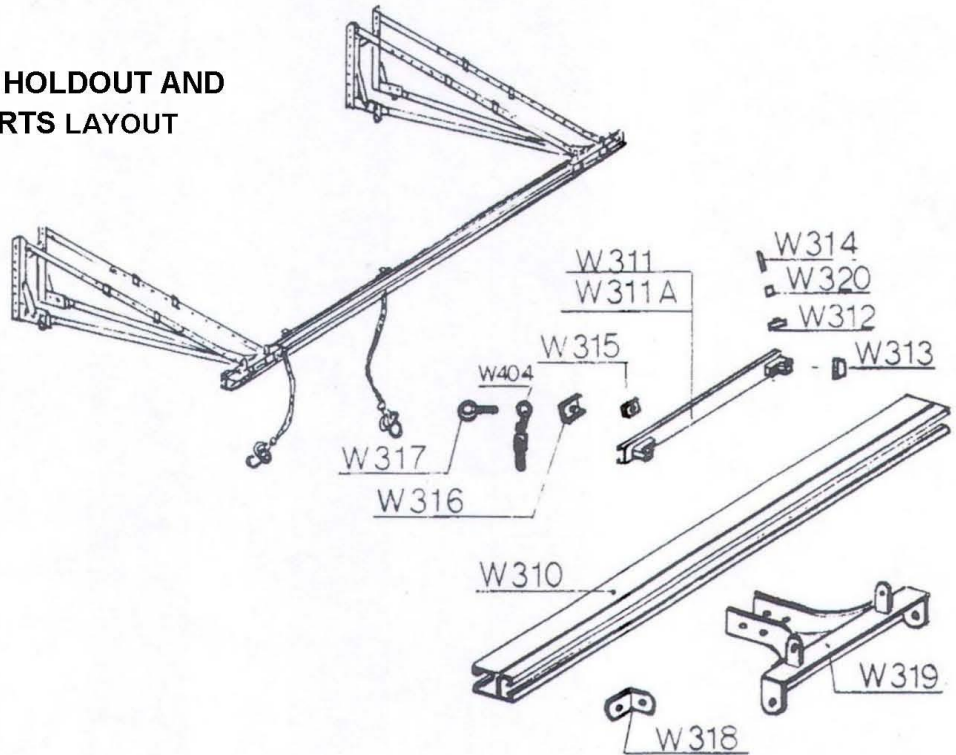
OVERHEAD HOLDOUT PARTS & PRICE LIST

| Part No. | Part Name | Price |
|----------|------------------------------------|------------|
| HW301 | Mounting Frame | 230.00 |
| HW302 | Boom Brace Assembly | 14.00 |
| HW303 | Boom Rail 58" | 105.75 |
| HW304 | 3/8 ID Bronze Bushing | 9.50 |
| HW305 | Wristlet Hanger | 11.00 |
| HW306 | Boom End Stationary | 210.00 |
| W307 | Boom Spacer | 15.00 |
| W308 | Holdout Clip | 13.00 |
| W309 | Holdout Bar | 52.50 |
| W400 | Wristlet - Red Nylon - Small | 87.00/pair |
| W401 | Wristlet - Red Nylon-Standard | |
| W402 | Wristlet - Red Nylon - Large | |
| W402XL | Wristlet - Red Nylon - Extra Large | |
| W403 | Red Holdout Strap 10' | 77.00 |
| W404 | D Ring Connector | 75.00 |
| W310 | Guide Rail - to 10' long | 415.50 |
| W310A | Guide Rail - to 20' long | 656.75 |
| W311 | Carrier 24" | 128.00 |
| W311A | Carrier 12" | 111.50 |
| W312 | Side Roller | 15.50 |
| W313 | Back Roller | 33.75 |
| W314 | Roller Pin | 5.50 |
| W315 | Rail Nut | 8.50 |
| W316 | Carrier Plate | 8.50 |
| W317 | Eye Bolt | 8.50 |
| W318 | Rail Swivel | 10.00 |
| W319 | Boom End Sliding | 210.00 |
| W320 | Roller Bushing | 9.50 |

ARM TYPE HOLDOUT PARTS LAYOUT



OVERHEAD STATIONARY HOLDOUT AND SLIDING HOLDOUT PARTS LAYOUT



HOLDOUT SELECTION & PRICE LIST

An Arm Type or Overhead Type Holdout Device is a holdout device only. It cannot function alternately as a pull-out device.

ARM TYPE HOLDOUT

| | | |
|-------------------------|-------------|----------|
| Arm Type Holdout Device | | \$847.00 |
| A-SM (Standard) | Side Mount | |
| A-FM | Front Mount | |

OVERHEAD TYPE HOLDOUT

| | | |
|---|----------|------------|
| Stationary Overhead Type Holdout Device | | \$1,160.00 |
| Bar Assembly | \$451.00 | |
| Boom Assembly | \$709.00 | |
| Sliding Overhead Type Holdout Device | | |
| One-Man up to 10' Wide | | \$2,378.00 |
| Rail w/Hardware | | |
| One-Man up to 20' Wide | | \$3,422.00 |
| Rail w/Hardware | | |
| Two-Man up to 10' Wide | | \$2,893.00 |
| Rail w/Hardware | | |
| Two-Man up to 20' Wide | | \$3,939.00 |
| Rail w/Hardware | | |

Over 10' Wide requires three (3) Boom Assemblies

HOLDOUT DEVICE SELECTION SHEET

Sold to: _____ Ship to: _____

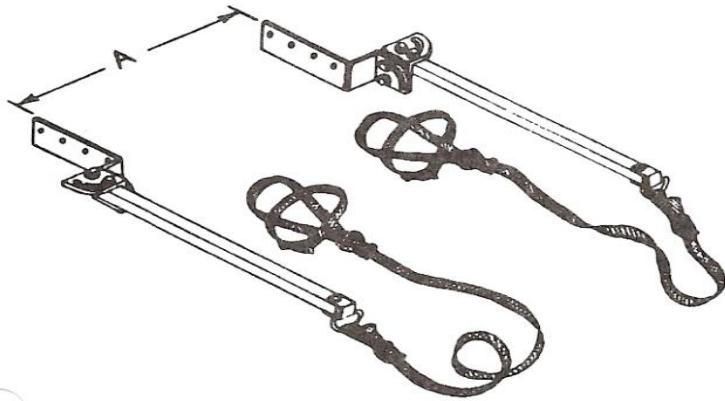
 PO #: _____ PO #: _____

Press - Make & Model

Shop #:

MODEL A HOLDOUT DEVICE

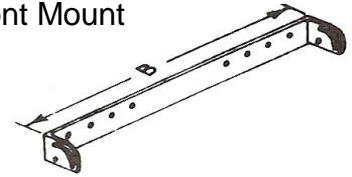
Side Mount (Std.)



Width of
Press Bed
or Bolster at
Mounting
Point.

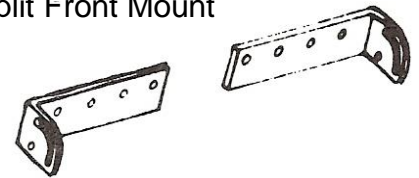
A = _____

Front Mount



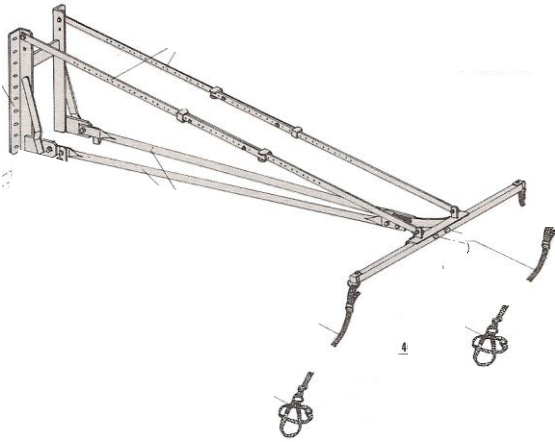
B= 25" 28" 32"
(Check One)

Split Front Mount



MODEL O HOLDOUT DEVICE

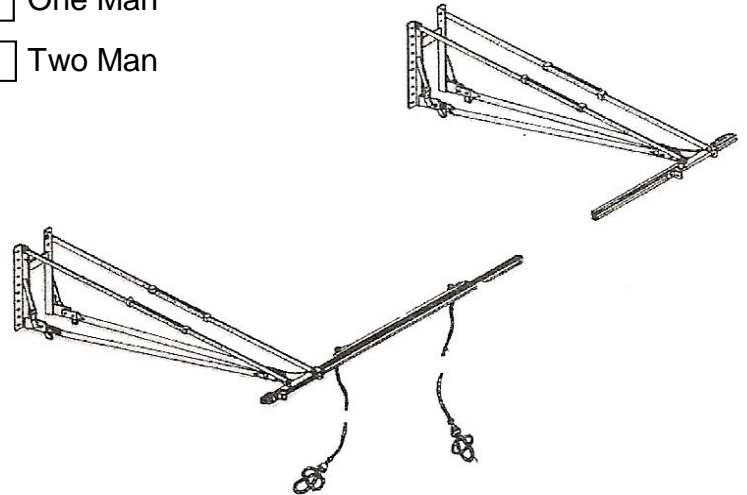
Single - Stationary



Sliding ---Length of Rail _____

One Man

Two Man



FOR MANUFACTURER'S USE ONLY

No. Units _____ Type _____

Mounts (Model A) _____

Straps _____

Wristlets _____

Brackets _____

Brackets may be selected
when necessary.

All literature prices are NET

AI-A (Arm type) - Instruction Card ---
AI-O (Overhead) - Instruction Card--- N/C
Adjusting & using these Units (7-1/4" x 11")

IR-A (Arm Type) Preventive Maintenance
IR-O (Overhead) Inspection Report
(8-1/2" x 11") Pad - 25 forms/pad \$ 9.00/Pad

These above reports assist the employer is making periodic preventive maintenance inspections of Devices as required by OSHA regulations.

IRT-W Pull-Out Device Inspection Report (4" x 9" Card)
To record the inspection of Pull-Out Devices for proper adjustment and any need for repairs as required by OSHA regulations.

| | |
|------------|----------|
| 250 cards | \$43.50 |
| 500 cards | \$69.00 |
| 1000 cards | \$122.00 |

Warning Tags - specify Arm Type or Overhead Type N/C
(Oval aluminum tags reminding personnel to read the instruction card before operating.)

Instructional Videos - specify Arm Type or Overhead Type N/C

Spanish Operator Safety Card \$26.00